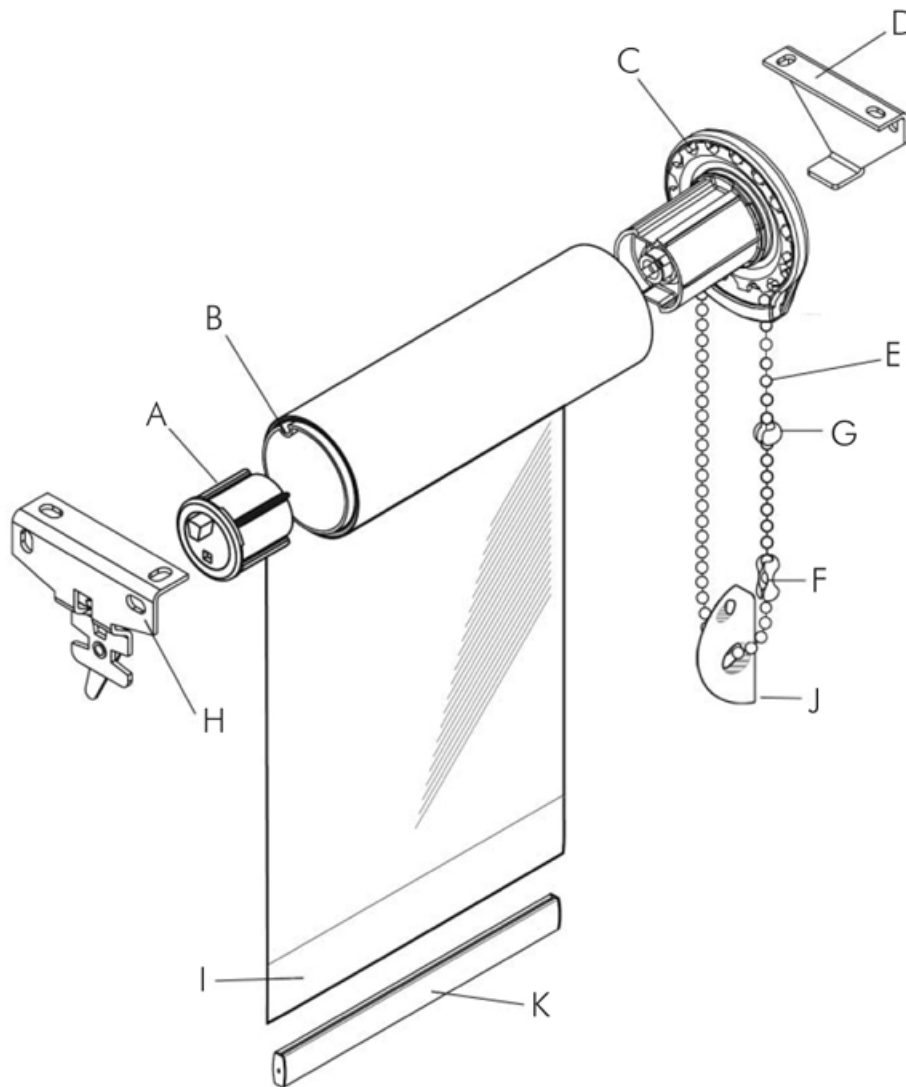


PolarTech 16

Manual Roller Shade System



Legend

A	End Plug
B	Aluminum Roller Tube
C	PT-16 Clutch
D	Clutch End Bracket
E	Bead Chain
F	Chain Connector
G	Stop Bead
H	End Plug Fascia Bracket
I	RF Welded Hem Pocket
J	Chain Tensioner
K	Optional External Hem Bar

- ⊗ Clutch Lift System has an up to 16 pound lifting capacity.
- ⊗ Shades are raised and lowered by means of a continuous loop bead chain.
- ⊗ The Hem Bar will be extruded aluminum and completely enclosed in a RF Welded Hem Pocket. Optional External Hem Bar is available.
- ⊗ Edge gap is 5/8" on the clutch end and 5/8" on the idler end.
- ⊗ Optional spring assist or geared clutch reduces pull force allowing easy lifting of larger shades.

