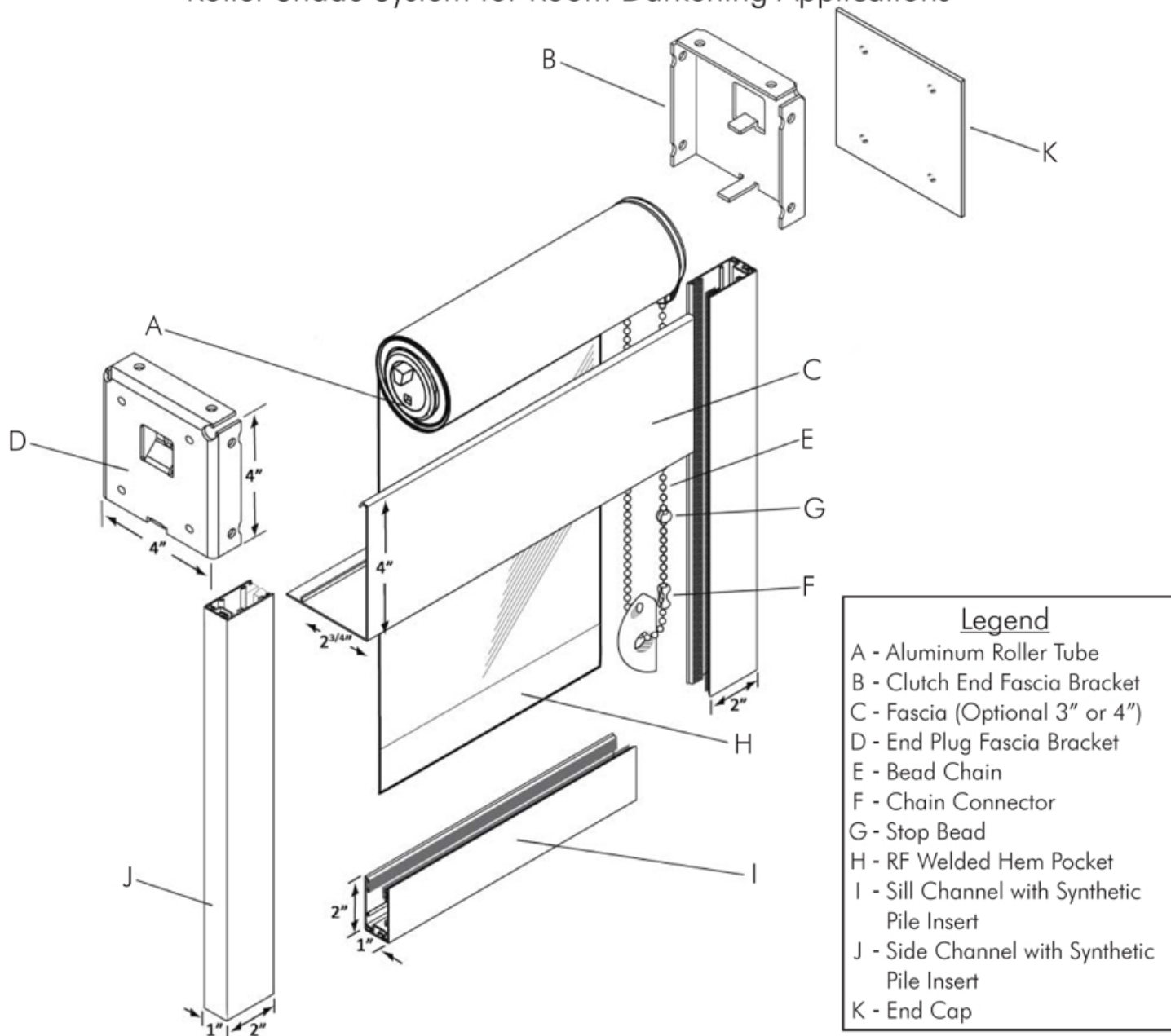


PolarTech 16

Manual

Roller Shade System for Room Darkening Applications



- ☼ Clutch Lift System has an up to 16 pound lifting capacity.
- ☼ Shades are raised and lowered by means of a continuous loop bead chain.
- ☼ The Hem Bar will be extruded aluminum and completely enclosed in a RF Welded Hem Pocket. Optional External Hem Bar available.
- ☼ Fascia measures 3" high with a 2-1/4" bottom lip and snaps onto a 3" x 3" fascia bracket or 4" inches with a 2-3/4" bottom lip and snaps onto a 4" x 4" fascia bracket. Available in white, tan, clear anodized, bronze or black.
- ☼ Side and sill channels are extruded aluminum with synthetic pile inserts to eliminate light leakage. Available in white, tan, clear anodized, bronze or black.
- ☼ Optional spring assist or geared clutch reduces pull force allowing easy lifting of larger shades.