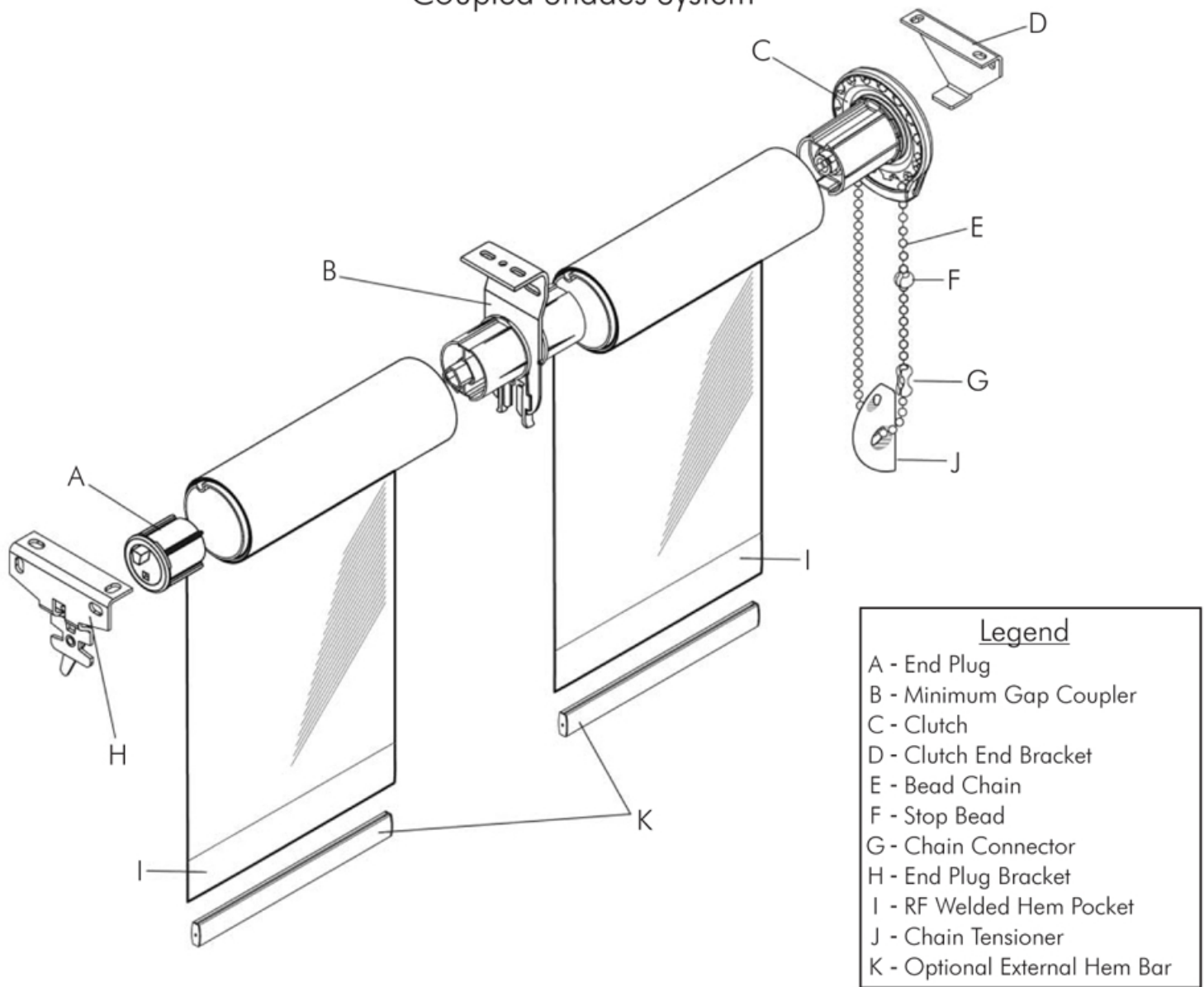


PolarTech 16 & 24

Manual Coupled Shades System



Legend

- A - End Plug
- B - Minimum Gap Coupler
- C - Clutch
- D - Clutch End Bracket
- E - Bead Chain
- F - Stop Bead
- G - Chain Connector
- H - End Plug Bracket
- I - RF Welded Hem Pocket
- J - Chain Tensioner
- K - Optional External Hem Bar

- ⚙️ Two of more individual shades can be connected and operated by a single clutch mechanism. Available with PT-16 and PT-24 Clutch Lift Systems.
- ⚙️ Adjustable leveling screw allows for precise leveling of shades.
- ⚙️ The number of shade bands is based on shade size and fabric selection.
- ⚙️ Optional spring assist or geared clutch reduces pull force allowing easy lifting of larger shades.