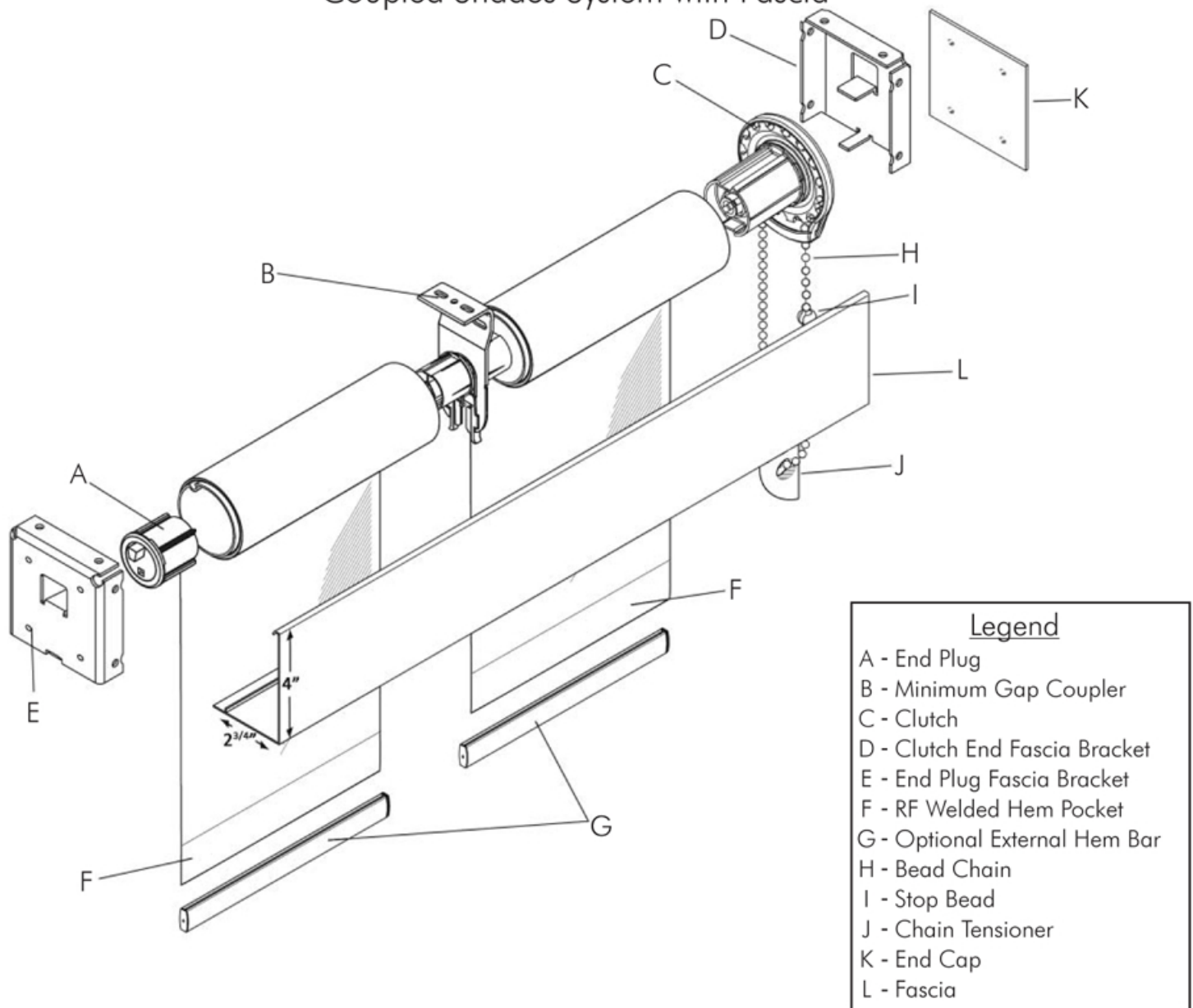


# PolarTech 16 & 24

## Manual

### Coupled Shades System with Fascia



- ⊗ Two of more individual shades can be connected and operated by a single clutch mechanism. Available with PT-16 and PT-24 Clutch Lift Systems.
- ⊗ Adjustable leveling screw allows for precise leveling of shades.
- ⊗ The number of shade bands is based on shade size and fabric selection.
- ⊗ Optional spring assist or geared clutch reduces pull force allowing easy lifting of larger shades.