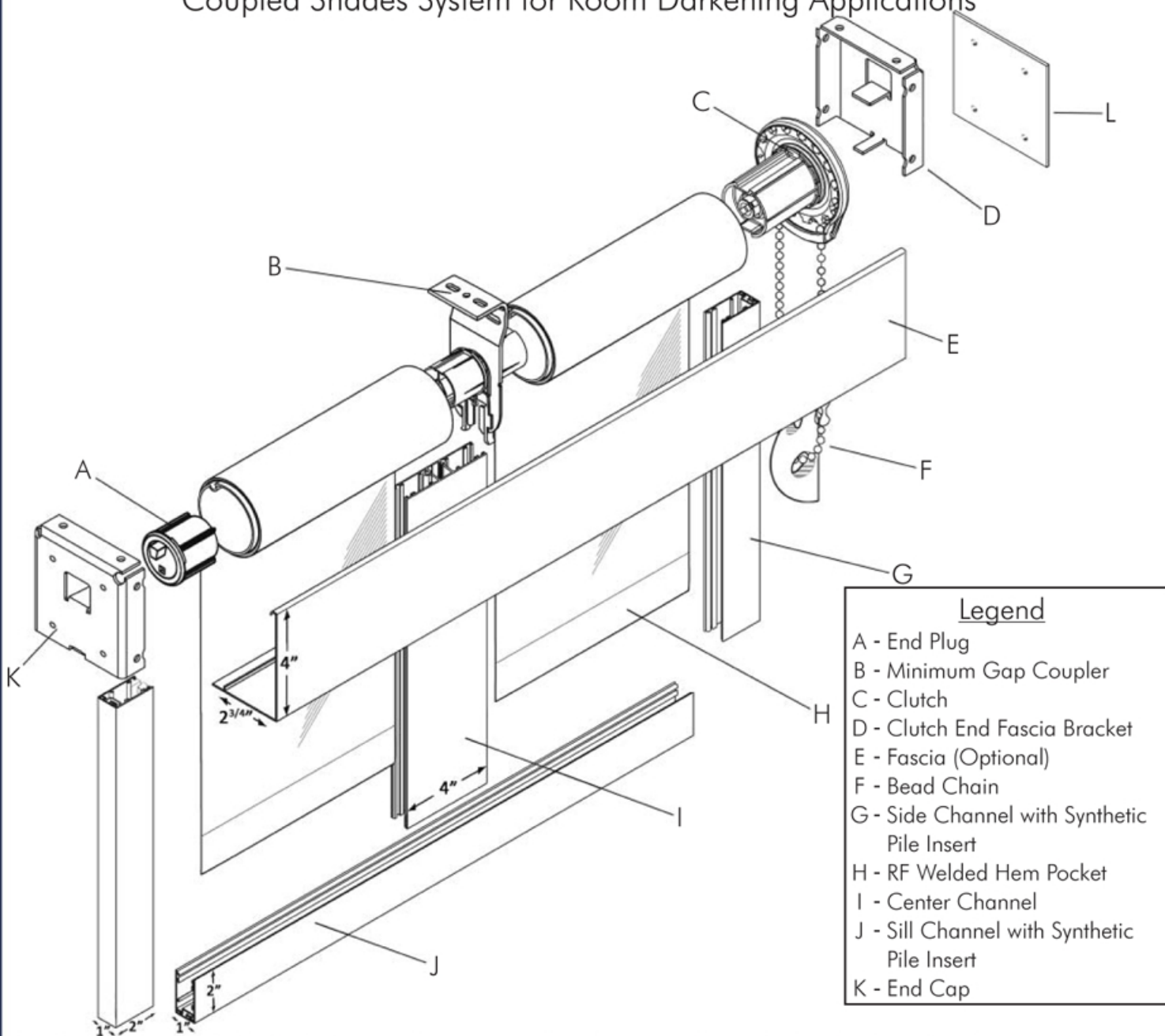


PolarTech 16 & 24

Manual

Coupled Shades System for Room Darkening Applications



Legend

- A - End Plug
- B - Minimum Gap Coupler
- C - Clutch
- D - Clutch End Fascia Bracket
- E - Fascia (Optional)
- F - Bead Chain
- G - Side Channel with Synthetic Pile Insert
- H - RF Welded Hem Pocket
- I - Center Channel
- J - Sill Channel with Synthetic Pile Insert
- K - End Cap

- ⚙ Two or more individual shades can be connected and operated by a single clutch mechanism.
- ⚙ Adjustable leveling screw allows for precise leveling of shades.
- ⚙ The number of shade bands is based on shade size and fabric selection.
- ⚙ Fascia measures 4" high with a 2-3/4" bottom lip and snaps onto a 4" x 4" fascia bracket. Available in white, tan, clear anodized, bronze or black.
- ⚙ Side and sill channels and center channel are extruded aluminum with synthetic pile inserts to eliminate light leakage. Available in white, tan, clear anodized, bronze or black.