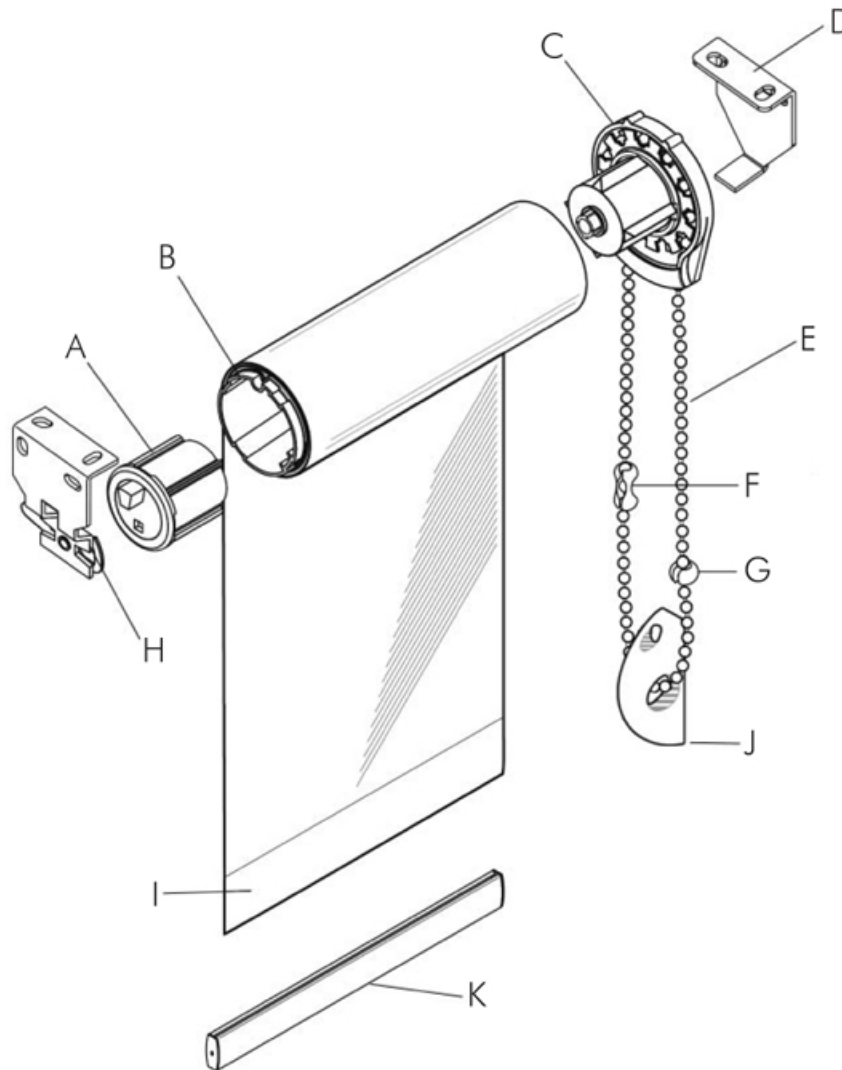


PolarTech 8

Manual Roller Shade System



Legend

- A - End Plug
- B - Aluminum Roller Tube
- C - PT-8 Clutch
- D - Clutch End Bracket
- E - Bead Chain
- F - Chain Connector
- G - Stop Bead
- H - End Plug Fascia Bracket
- I - RF Welded Hem Pocket
- J - Chain Tensioner
- K - Optional External Hem Bar

- ⊗ Clutch Lift System has an up to eight pound lifting capacity.
- ⊗ Shades are raised and lowered by means of a continuous loop bead chain.
- ⊗ The Hem Bar will be extruded aluminum and completely enclosed in a RF Welded Hem Pocket. Optional External Hem Bar is available.
- ⊗ Optional spring assist or geared clutch reduces pull force allowing easy lifting of larger shades.

