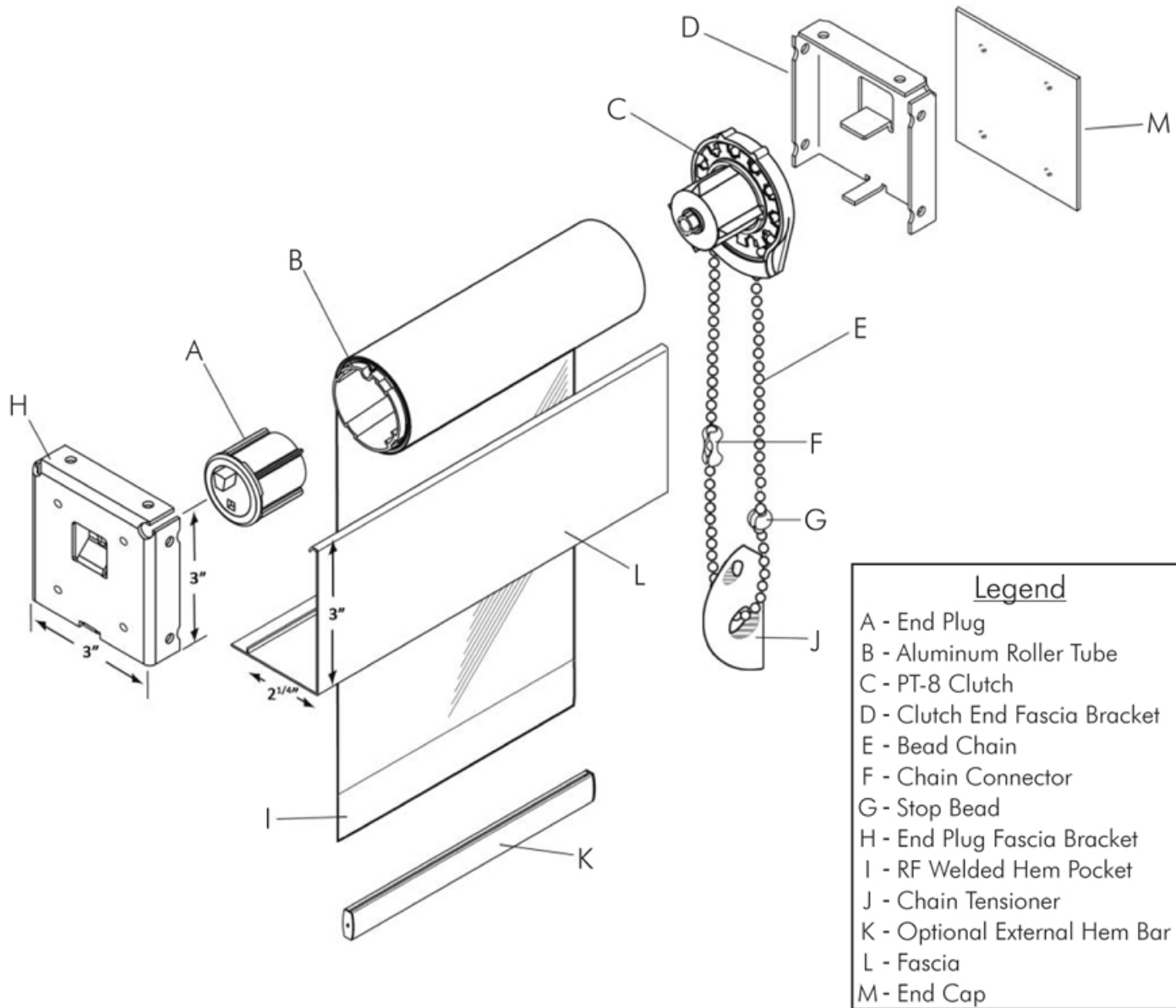


PolarTech 8

Manual

Roller Shade System with Fascia



- ⊗ Clutch Lift System has an up to eight pound lifting capacity.
- ⊗ Shades are raised and lowered by means of a continuous loop bead chain.
- ⊗ Internal Hem Bar sealed in RF Welded Hem Pocket. Optional External Hem Bar is available.
- ⊗ Fascia measures 3" high with a 2-1/4" bottom lip and snaps onto 3" x 3" fascia bracket. Available in white, tan, clear anodized, bronze or black.
- ⊗ Optional spring assist or geared clutch reduces pull force allowing easy lifting of larger shades.