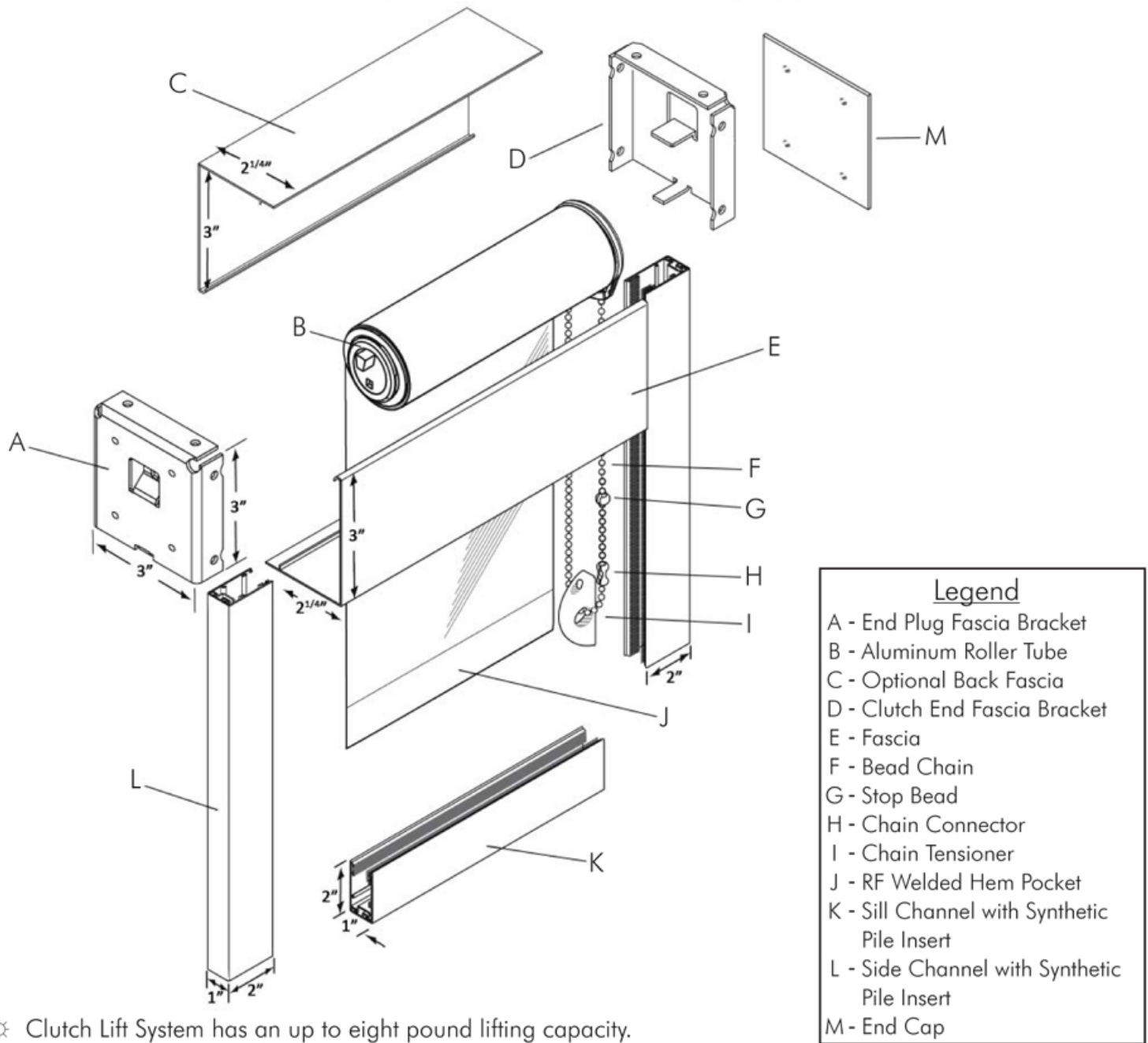


# PolarTech 8

## Manual

### Roller Shade System for Room Darkening Applications



- ⊗ Clutch Lift System has an up to eight pound lifting capacity.
- ⊗ Shades are raised and lowered by means of a continuous loop bead chain.
- ⊗ The Hem Bar will be extruded aluminum and completely enclosed in a RF Welded Hem Pocket. Optional External Hem Bar available.
- ⊗ Fascia measures 3" high with a 2-1/4" bottom lip and snaps onto 3" x 3" fascia bracket. Available in white, tan, clear anodized, bronze or black.
- ⊗ Side and sill channels are extruded aluminum with synthetic pile inserts to eliminate light leakage. Available in white, tan, clear anodized, bronze or black.
- ⊗ Optional spring assist or geared clutch reduces pull force allowing easy lifting of larger shades.