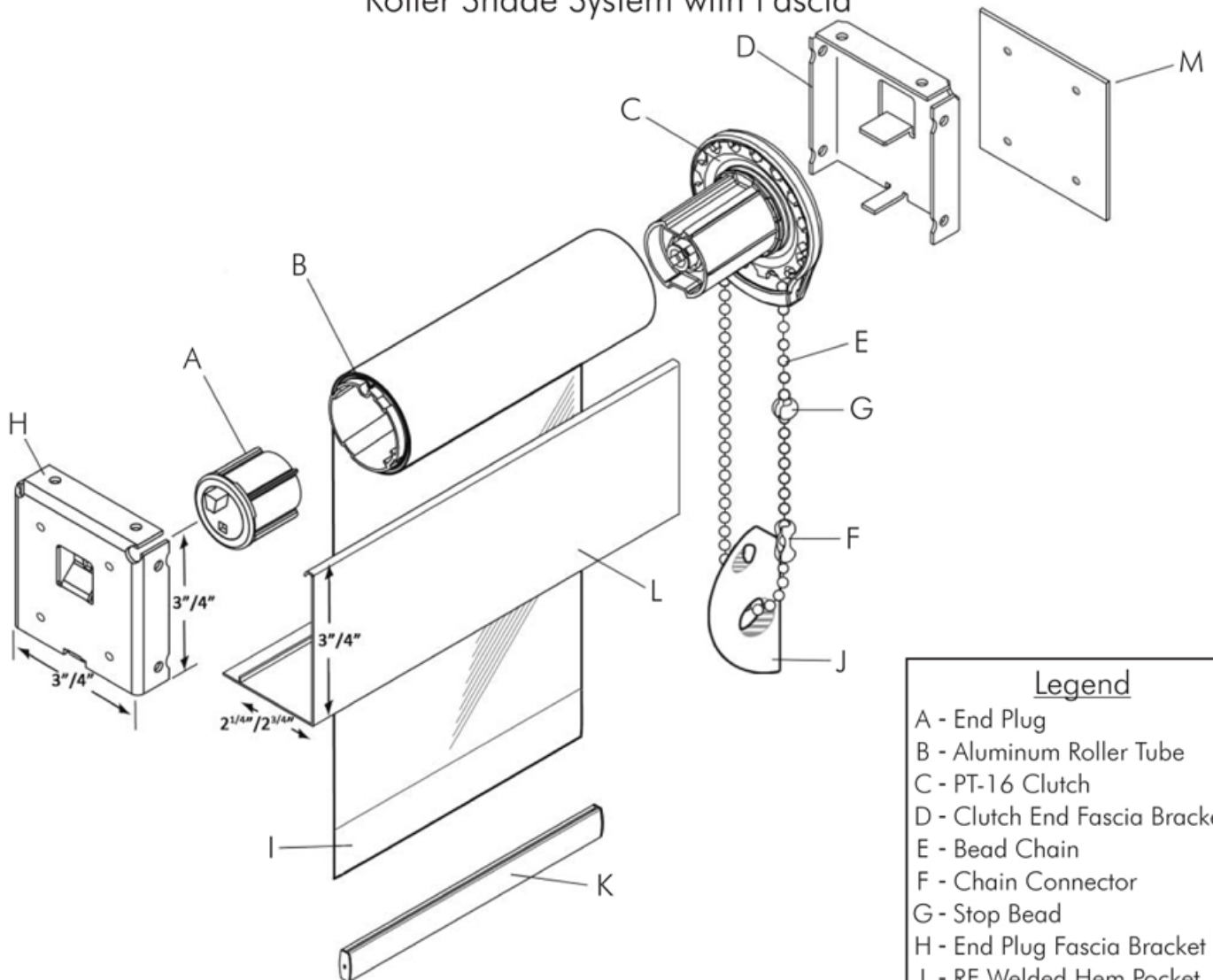


# PolarTech 16

## Manual

### Roller Shade System with Fascia



#### Legend

- A - End Plug
- B - Aluminum Roller Tube
- C - PT-16 Clutch
- D - Clutch End Fascia Bracket
- E - Bead Chain
- F - Chain Connector
- G - Stop Bead
- H - End Plug Fascia Bracket
- I - RF Welded Hem Pocket
- J - Chain Tensioner
- K - Optional External Hem Bar
- L - Fascia
- M - End Cap

- ☼ Clutch Lift System has an up to 16 pound lifting capacity.
- ☼ Shades are raised and lowered by means of a continuous loop bead chain.
- ☼ The Hem Bar will be extruded aluminum and completely enclosed in a RF Welded Hem Pocket. Optional External Hem Bar is available.
- ☼ Edge gap is 5/8" on the clutch end and 5/8" on the idler end.
- ☼ Fascia measures 3" high with a 2-1/4" bottom lip and snaps onto a 3" x 3" fascia bracket or 4" inches with a 2-3/4" bottom lip and snaps onto a 4" x 4" fascia bracket. Available in white, tan, clear anodized, bronze or black.
- ☼ Optional spring assist or geared clutch reduces pull force allowing easy lifting of larger shades.

