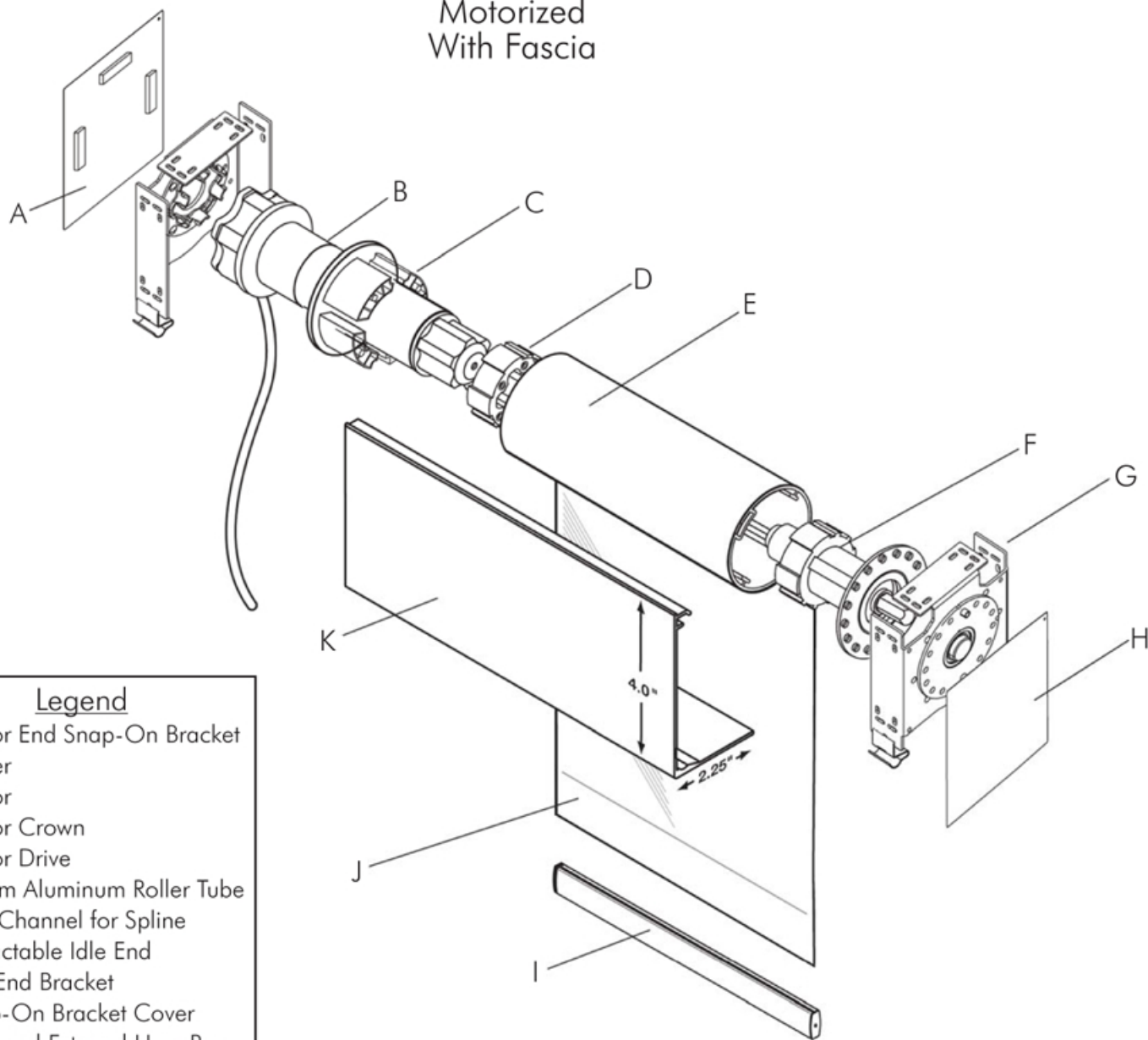


PolarTech 63mm

Motorized
With Fascia



Legend

- A - Motor End Snap-On Bracket Cover
- B - Motor
- C - Motor Crown
- D - Motor Drive
- E - 63mm Aluminum Roller Tube with Channel for Spline
- F - Retractable Idle End
- G - Idle End Bracket
- H - Snap-On Bracket Cover
- I - Optional External Hem Bar
- J - RF Welded Hem Pocket
- K - Fascia

- ⊗ A line voltage AC motor is used to raise and lower the shade.
- ⊗ All motors come standard with a 6' pigtail. Additional plugs and lengths are available.
- ⊗ Roller tube is 63mm extruded aluminum with a channel to accept fabric spline making the shade panel easy to remove.
- ⊗ Optional adjustable idle end bracket allows shades to be leveled while in place.
- ⊗ Internal Hem Bar sealed in RF Welded Hem Pocket. Optional External Hem Bar is available.
- ⊗ 4.00" x 2.25" fascia available on line voltage AC motorized systems. Available in white, tan, clear, anodized, bronze or black.
- ⊗ Edge gap is 7/8" on the motor end and 7/8" on the retractable idler end.
- ⊗ Standard precision bearings for quiet operation are standard.