



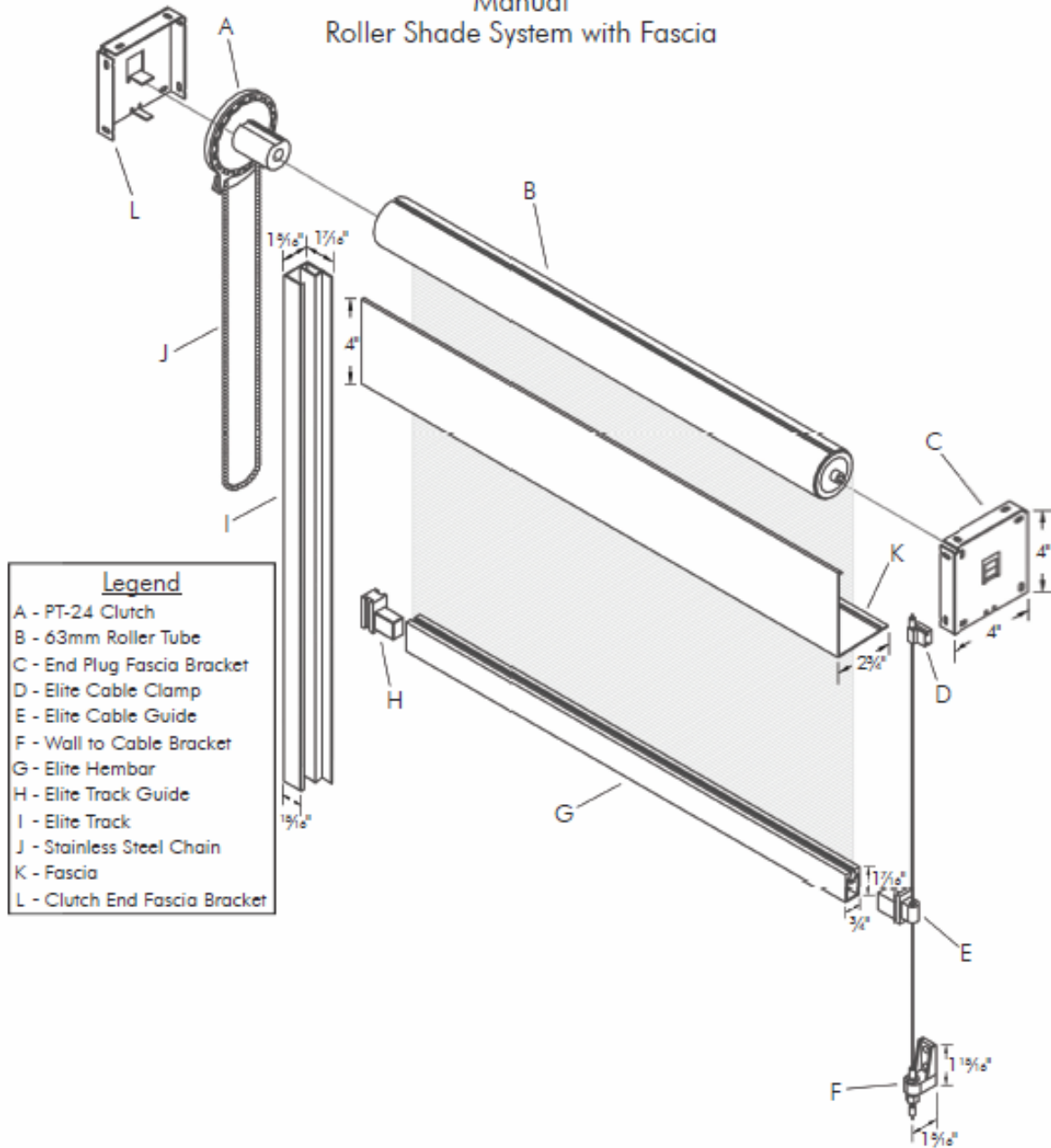
EXTERIOR CLUTCH SHADE

Enjoy the comfort of your patio with a Made in the USA Polar Shades Select Exterior Clutch Shade. Our entry level manual shade utilizes many of the same quality components found in our award winning Elite Shade including tracks, cable guides and hem bar.

- Available in widths and heights up to 10'
- PT24 Clutch provides a lifting capacity up to 24 lbs.
- 2" diameter aluminum roll tube and easy to install end plug brackets/fascia provide the perfect finishing touch for your exterior clutch shade.
- Stainless steel spring and beaded chain provide the industry's best exterior components
- Shade can be designed with side tracks, cable guides or a combination of tracks and guides for the ultimate exterior clutch functionality and control.
- 4" aluminum extruded fascias available in 3 standard colors- white, bronze and tan.
- Standard Fabric options include Polar Tech 80, Phifer Suntex 80 and Phifer Suntex 90 all with extensive color options.
- Expanded fabric offerings available for an upcharge.
- Six Month Warranty

E-19

PolarTech 24 Manual Roller Shade System with Fascia



Out with the old. In with the View!

877-260-6110

POLAR SHADES®
sun control

polarshade.com

520 East Sunset Road - Henderson, NV 89011 - info@polarshade.com