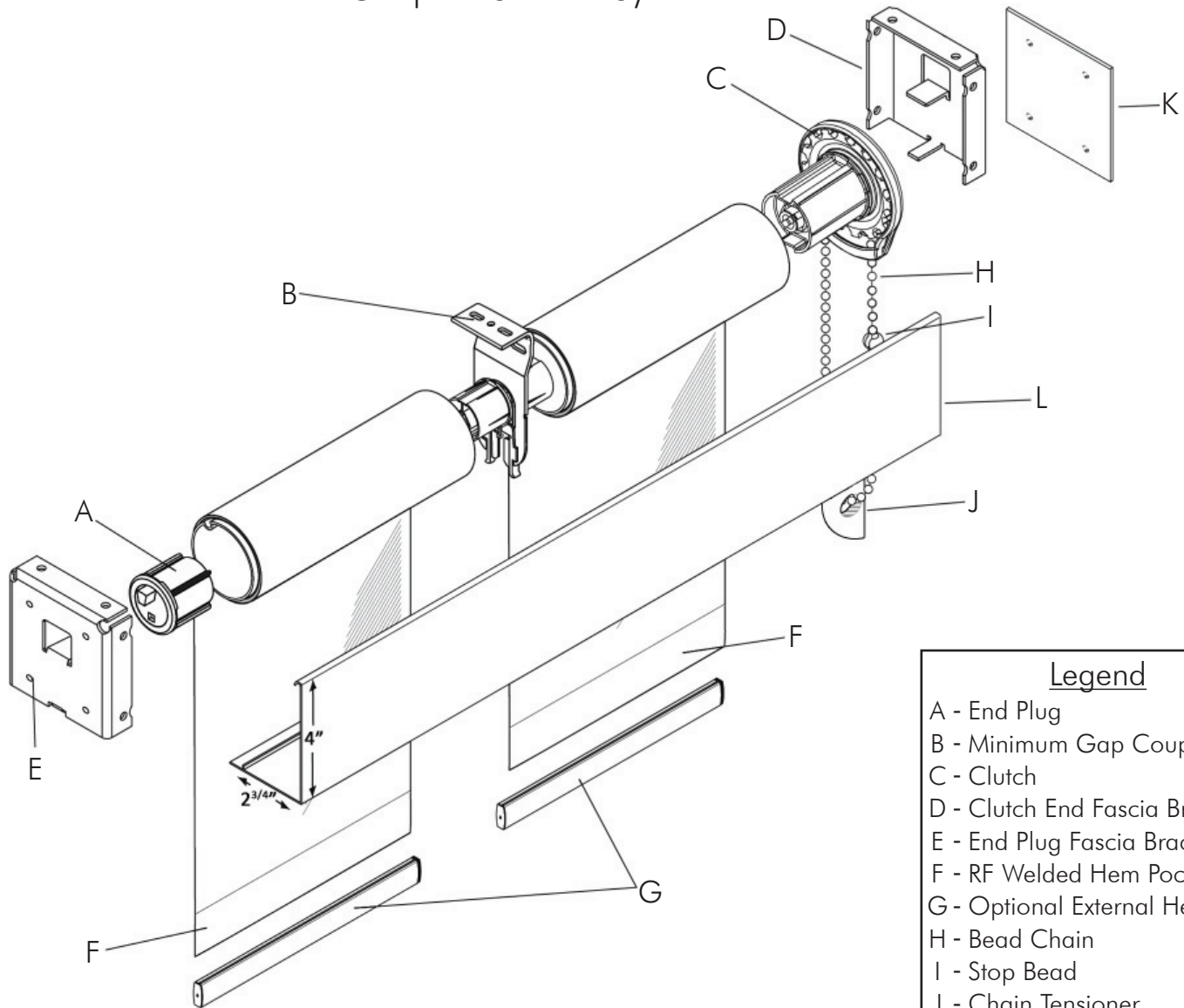


PolarTech 16 & 24

Manual

Coupled Shades System with Fascia



<u>Legend</u>	
A	End Plug
B	Minimum Gap Coupler
C	Clutch
D	Clutch End Fascia Bracket
E	End Plug Fascia Bracket
F	RF Welded Hem Pocket
G	Optional External Hem Bar
H	Bead Chain
I	Stop Bead
J	Chain Tensioner
K	End Cap
L	Fascia

- ☼ Two or more individual shades can be connected and operated by a single clutch mechanism. Available with PT-16 and PT-24 Clutch Lift Systems.
- ☼ Adjustable leveling screw allows for precise leveling of shades.
- ☼ The number of shade bands is based on shade size and fabric selection.
- ☼ Optional spring assist reduces pull force allowing easy lifting of larger shades.

Out with the old. In with the View!

877-260-6110

POLAR SHADES®
sun control

polarshade.com

5520 Stephanie Street • Las Vegas, NV 89122 • info@polarshade.com