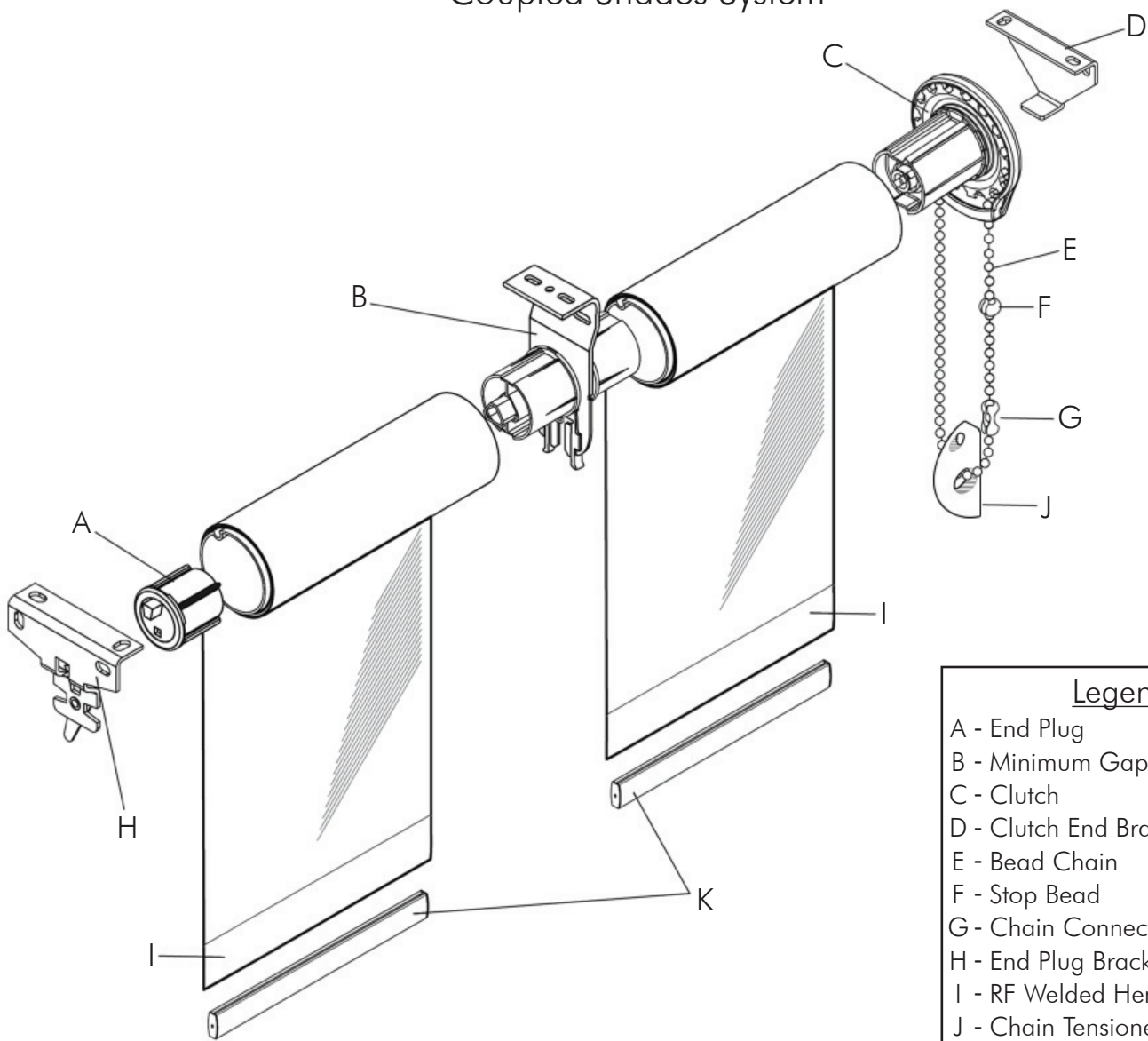


PolarTech 16 & 24

Manual Coupled Shades System



Legend

- A - End Plug
- B - Minimum Gap Coupler
- C - Clutch
- D - Clutch End Bracket
- E - Bead Chain
- F - Stop Bead
- G - Chain Connector
- H - End Plug Bracket
- I - RF Welded Hem Pocket
- J - Chain Tensioner
- K - Optional External Hem Bar

- ☼ Two or more individual shades can be connected and operated by a single clutch mechanism. Available with PT-16 and PT-24 Clutch Lift Systems.
- ☼ Adjustable leveling screw allows for precise leveling of shades.
- ☼ The number of shade bands is based on shade size and fabric selection.
- ☼ Optional spring assist reduces pull force allowing easy lifting of larger shades.

Out with the old. In with the View!

877-260-6110

POLAR SHADES®
sun control

polarshade.com

5520 Stephanie Street • Las Vegas, NV 89122 • info@polarshade.com