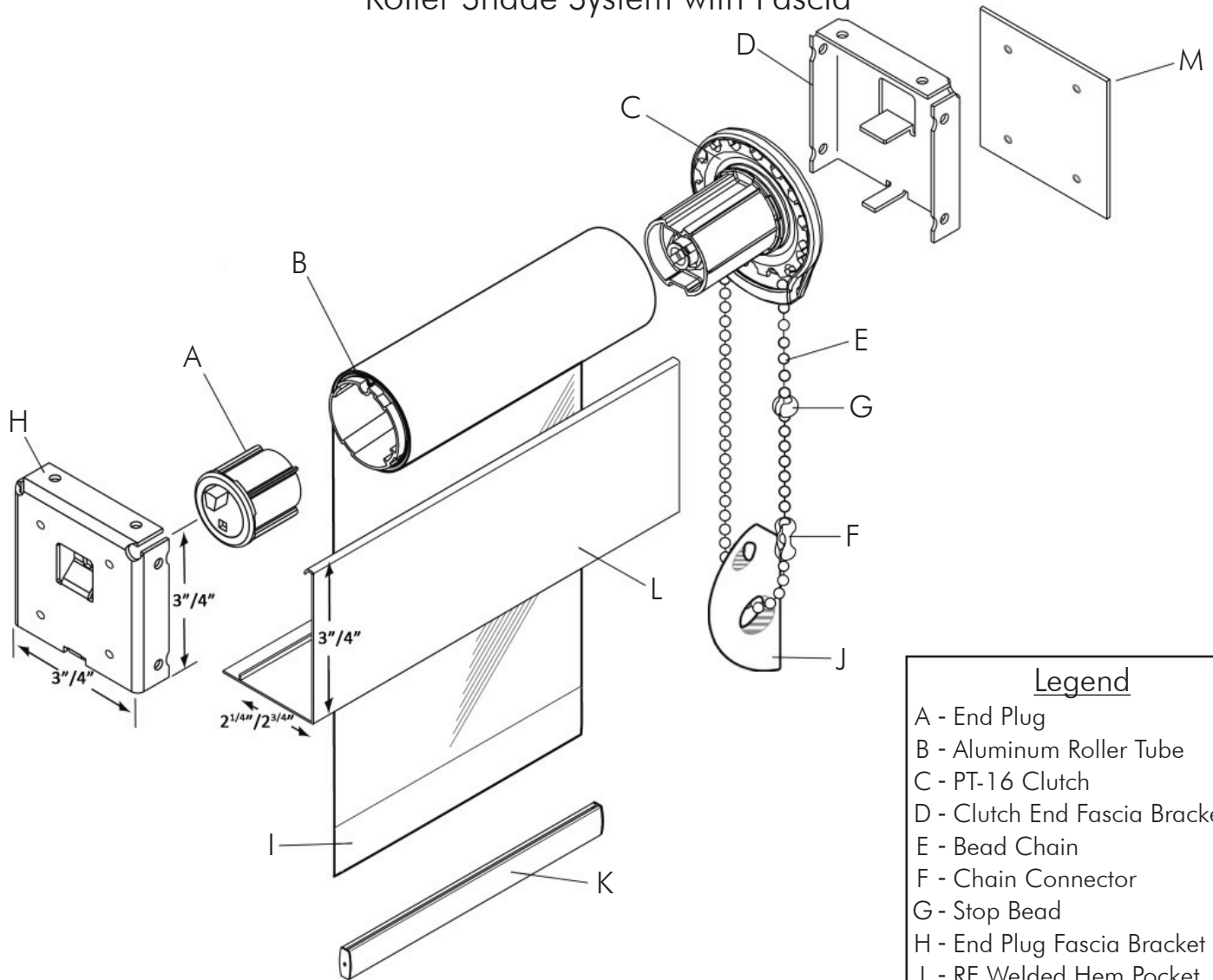


PolarTech 16

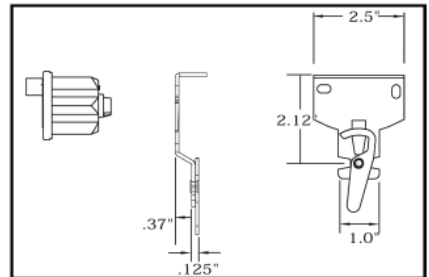
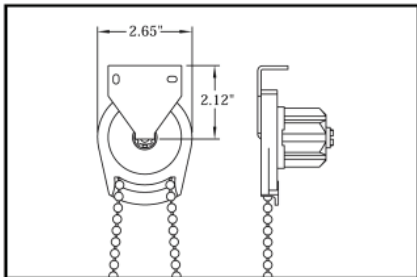
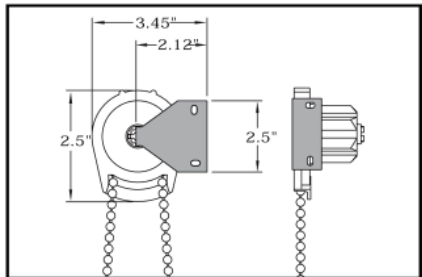
Manual

Roller Shade System with Fascia



<u>Legend</u>	
A	End Plug
B	Aluminum Roller Tube
C	PT-16 Clutch
D	Clutch End Fascia Bracket
E	Bead Chain
F	Chain Connector
G	Stop Bead
H	End Plug Fascia Bracket
I	RF Welded Hem Pocket
J	Chain Tensioner
K	Optional External Hem Bar
L	Fascia
M	End Cap

- ☼ Clutch Lift System has an up to 16 pound lifting capacity.
- ☼ Shades are raised and lowered by means of a continuous loop bead chain.
- ☼ The Hem Bar will be extruded aluminum and completely enclosed in a RF Welded Hem Pocket. Optional External Hem Bar is available.
- ☼ Edge gap is 5/8" on the clutch end and 5/8" on the idler end.
- ☼ Fascia measures 3" high with a 2-1/4" bottom lip and snaps onto a 3" x 3" fascia bracket or 4" inches with a 2-3/4" bottom lip and snaps onto a 4" x 4" fascia bracket. Available in white, tan, clear anodized, bronze or black.



Out with the old. In with the View!

877-260-6110

POLAR SHADES®
sun control

polarshade.com