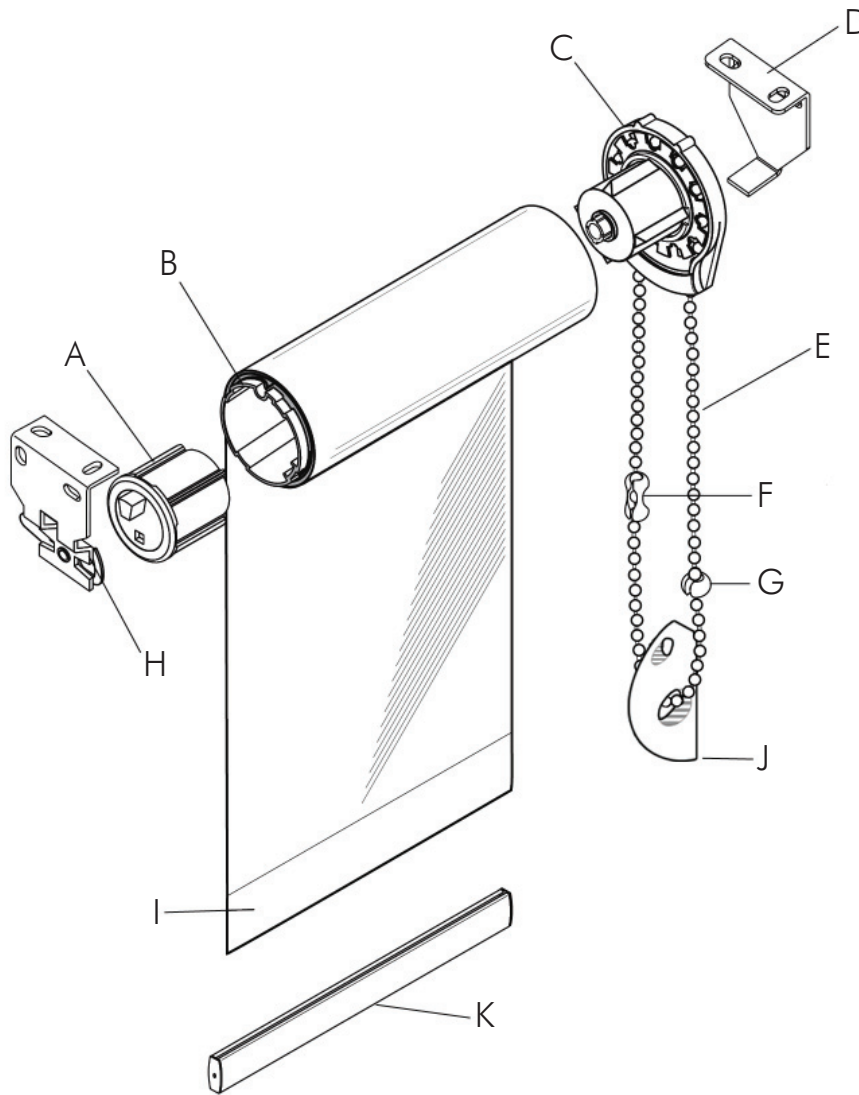


PolarTech 8

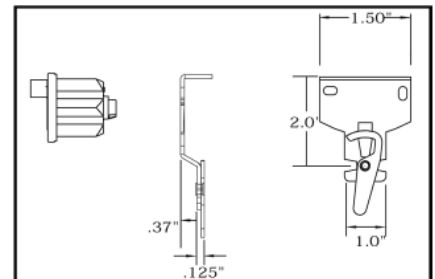
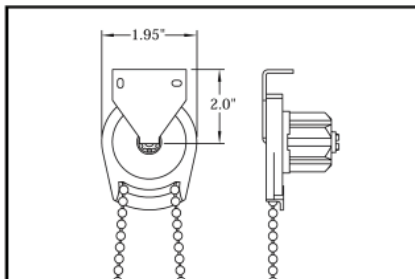
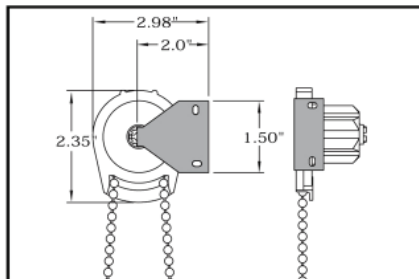
Manual Roller Shade System



Legend

- A - End Plug
- B - Aluminum Roller Tube
- C - PT-8 Clutch
- D - Clutch End Bracket
- E - Bead Chain
- F - Chain Connector
- G - Stop Bead
- H - End Plug Fascia Bracket
- I - RF Welded Hem Pocket
- J - Chain Tensioner
- K - Optional External Hem Bar

- ☼ Clutch Lift System has an up to eight pound lifting capacity.
- ☼ Shades are raised and lowered by means of a continuous loop bead chain.
- ☼ The Hem Bar will be extruded aluminum and completely enclosed in a RF Welded Hem Pocket. Optional External Hem Bar is available.
- ☼ Optional spring assist reduces pull force allowing easy lifting of larger shades.



Out with the old. In with the View!

877-260-6110

POLAR SHADES®
sun control

polarshade.com

5520 Stephanie Street • Las Vegas, NV 89122 • info@polarshade.com