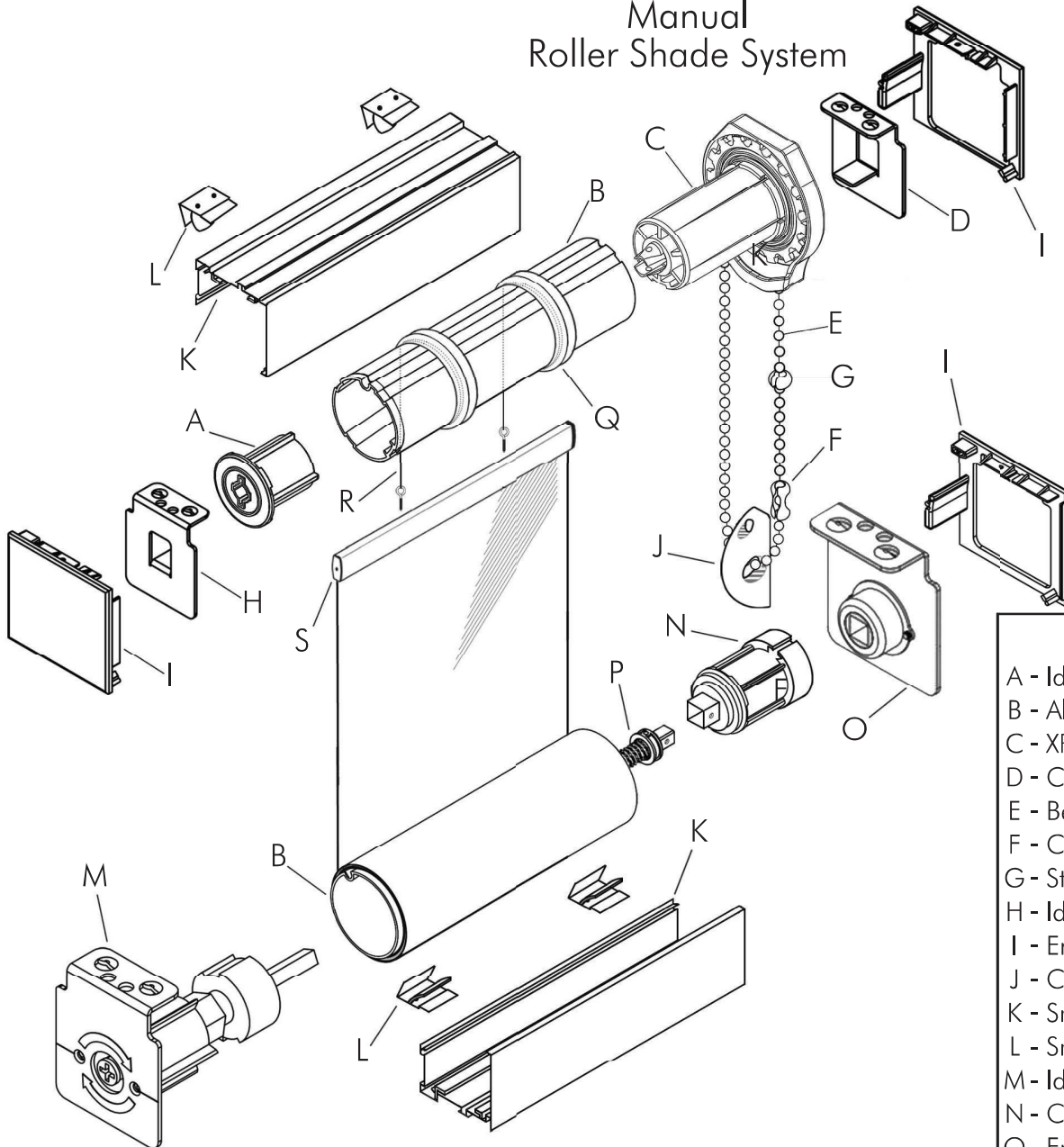


# Polar Shades Bottom-Up

## Manual Roller Shade System

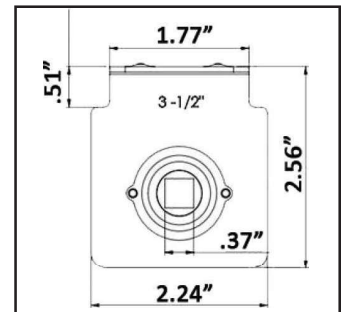
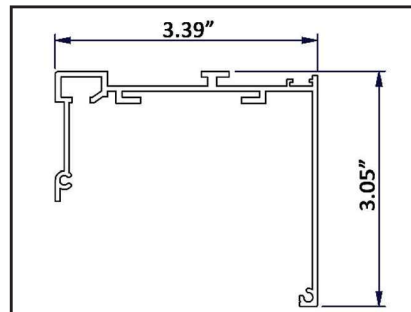


### Legend

- A - Idler End
- B - Aluminum Roller Tube
- C - XR-16 Clutch
- D - Clutch End Cassette Bracket
- E - Bead Chain
- F - Chain Connector
- G - Stop Bead
- H - Idler End Cassette Bracket
- I - End Cap
- J - Chain Tensioner
- K - Smart Cassette
- L - Smart Cassette Brackets
- M - Idler End & Bracket - Bottom
- N - Control End - Bottom
- O - End Bracket - Bottom
- P - Spring Set
- Q - Cord Take Up Reels
- R - Take Up Cord
- S - External Hem Bar

- ☀ Bottom-up shade retracts to lower position and extends to upper position via cords attached to hembar.
- ☀ XR-16 clutch raises and lowers the shade.
- ☀ Tensioned bottom roller tube with spring assist keeps shade in taut position during all stages of shade movement.
- ☀ 3.39" square Smart Cassette with snap-on brackets is positioned in regular orientation at top and flipped at bottom

### Smart Cassette Dimensions



Out with the old, In with the View!

877-260-6110

**POLAR SHADES**  
sun control

polarshade.com

5520 Stephanie Street • Las Vegas, NV 89122 • info@polarshade.com