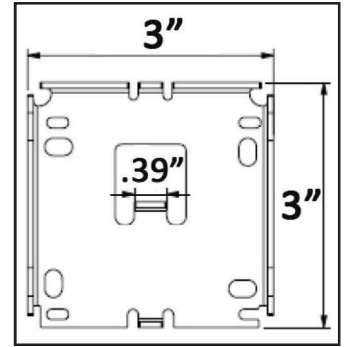
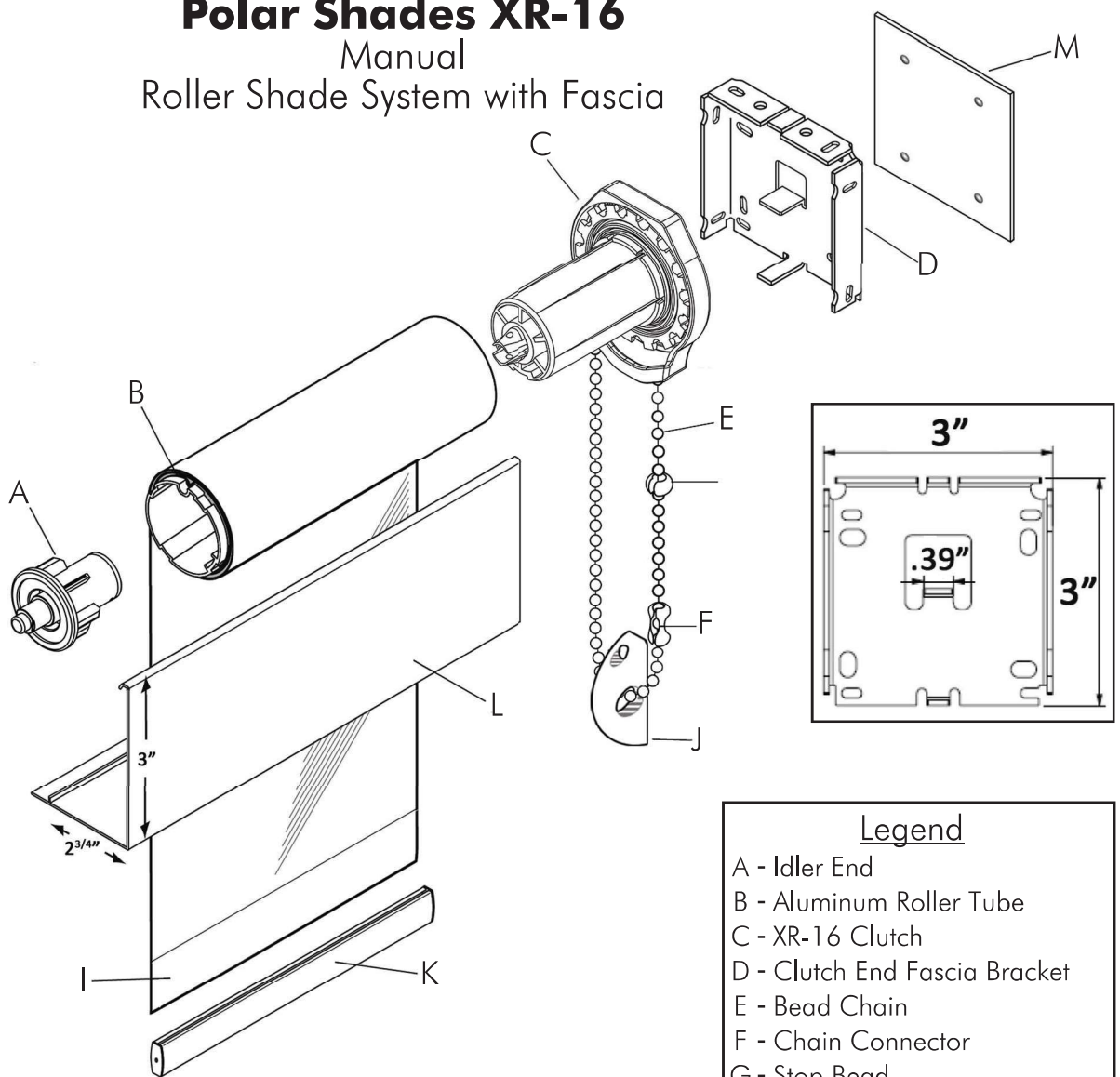
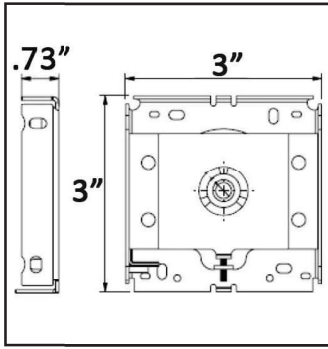


Polar Shades XR-16

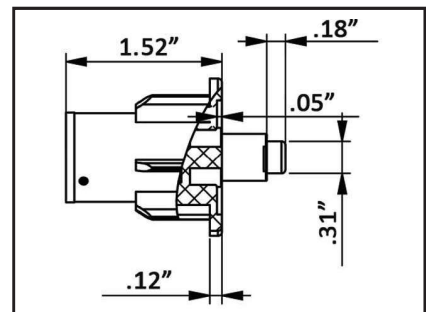
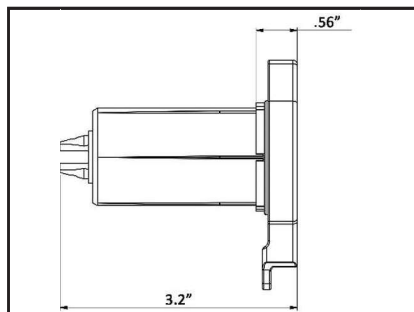
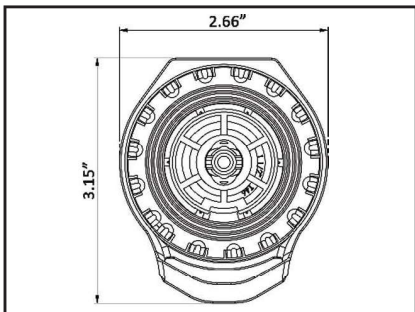
Manual

Roller Shade System with Fascia



Legend	
A	Idler End
B	Aluminum Roller Tube
C	XR-16 Clutch
D	Clutch End Fascia Bracket
E	Bead Chain
F	Chain Connector
G	Stop Bead
H	Idler End Adjustable Fascia Bracket
I	Impulse Welded Hem Pocket
J	Chain Tensioner
K	Optional External Hem Bar
L	Fascia
M	End Cap

- ☀ Clutch Lift System has a lifting capacity of up to 16 pounds.
- ☀ Clutch design includes a metal roller bearing and stainless steel shims.
- ☀ Shades are raised and lowered by means of a bead chain.
- ☀ Hem Bar is extruded aluminum and completely enclosed in an Impulse Welded Hem Pocket. Optional External Hem Bar is available.
- ☀ Edge gap is 5/8" on the clutch end and 5/8" on the idler end.
- ☀ Fascia measures 3" high with a 2-1/4" bottom lip and snaps onto a 3" x 3" fascia bracket with a 2-3/4" bottom lip. Available in white, ivory, anodized, bronze, or black.



Out with the old, In with the View!

877-260-6110

POLAR SHADES
sun control

polarshade.com

5520 Stephanie Street • Las Vegas, NV 89122 • info@polarshade.com